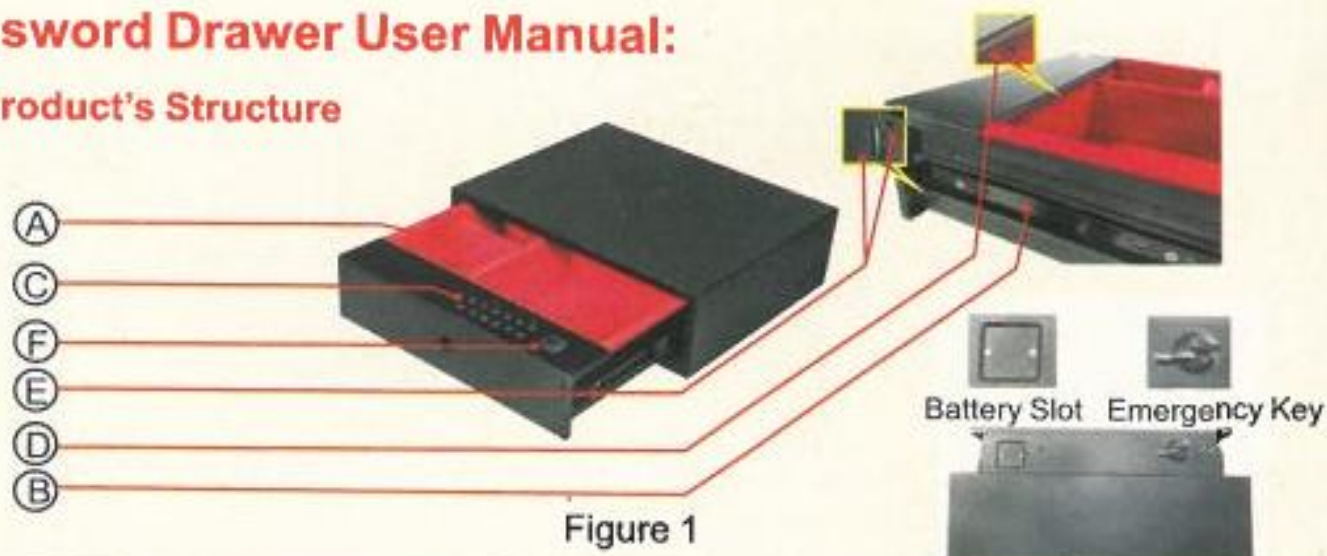


# Password Drawer User Manual:

## 一. Product's Structure



Ⓐ .Flannel inner box
Ⓑ .Sliding rail (for buckling and pulling out the drawer)
Ⓒ .Key code area ( Input the information)
<b>Number Button(*): Touch this key to input the password. ( "Any key" light up)</b>
Confirming Button"#": Touch this key to confirm the password
"OK" indicator: Open the drawer, green light's flashing
"ERR" indication: Input error and alarm indicator, light's flashing
"BAT" indicator: The battery's power/voltage is low, need to charge the battery,light's flashing
Ⓓ .Reset
Ⓔ .Charging Port, restart button ( Fingerprint model)
Ⓕ .Fingerprint area

## 二. Product Specification:

Product Name	Digital (Fingerprint) Password Drawer
Product Model	XAG-M
Product Size	Width (400, 464, 480, 564, 580mm,764mm) x Depth 400mm x Height 150mm
Product Weight	12-20kg
Working Voltage	USB 5VDC (Built-in large capacity changeable Li-ium battery: 18650)
Start-Up Mode	Motor Driver

## 三. Using Instruction:

1. Setting for Unlocking Digital Drawer Default Factory Password: \*1234#

Change the password:

Please input \*#old password#new password#, "OK key" lighting up means that you change the password successfully. If not, you need to input again.

Note:

A. Password is set by 4-6 numbers

B. Please confirm the new password work well (If you have reset the password) before you close the drawer.

C. For example, if you want to change the password 1234 to: 8888. The step is: Input \*#1234#8888#  
When the "K button" lights up, the password is changed successfully. After then, just need to input \*8888# to open the drawer.

D. If you input the password incorrectly, the system will alarm "DI DI DI" 3 times. The error light will up for 3 times.

E. No keyboard operation for 10s, the drawer will be in power saving mode automatically.

## 2. Digital + Fingerprint Drawer Setting ( The product is adopted the new generation semiconductor fingerprint module)

Input the correct password to open the drawer ( The original password is: \*1234#

Then input \*#, you'll get beep tips:

- (1) **Remove fingerprint**, input \*#00# ( Issue the beep: delete the fingerprint successfully);
- (2) **Input fingerprint**, input \*#11# (Issue the beep: please press your finger);Up to 100 sets of fingerprints can be registered.  
After pressing the finger for 3 times, it's registered successfully. ( Issue the beep: the fingerprint is registered successfully. )
- (3) **Setting New Password**: Input \*#22# ( Issue a beep: Input the new password and press # when ending. )
- (4) **Volume adjustment**, input \*#33# (Issue a beep, press "2" to increase the volume, press "8" to decrease the volume"
- (5) **Set language**, input \*#44# (A beep sounds, press "1" to set Chinese, Chinese pronunciation: press "2" to set English, English pronunciation)

### Note:

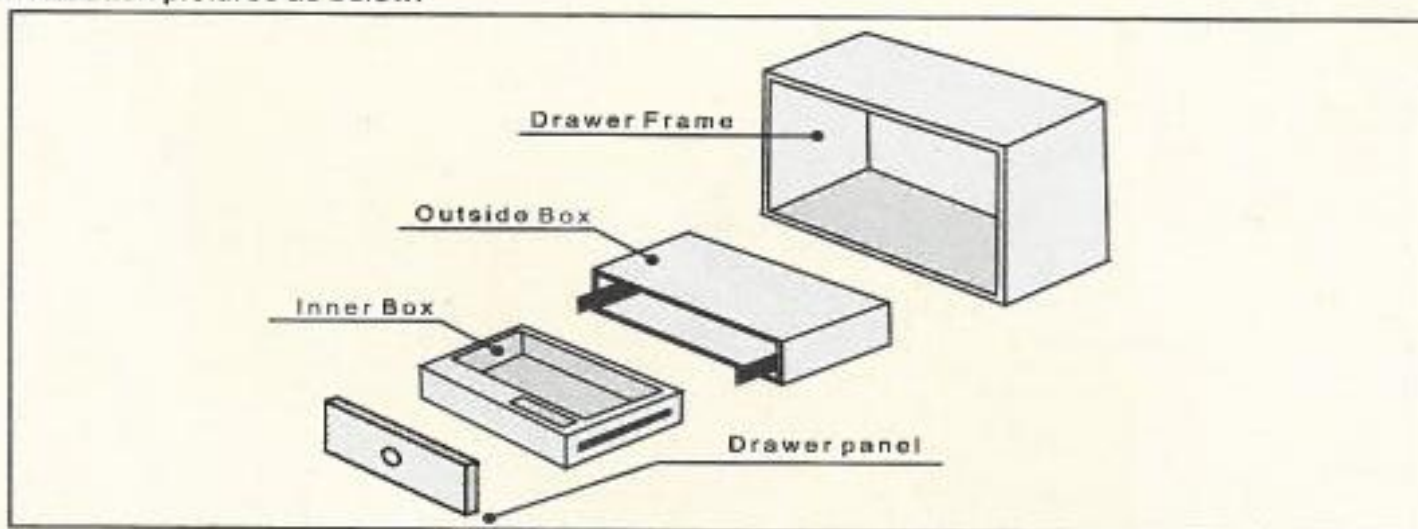
- (1) If you input the wrong password continuously for 3 times, the system will alarm for 5 seconds. (When you input the correct password or fingerprint, it'll stop the alarm.)
  - (2) When register the fingerprint, please change the finger angle slightly for 3 times fingerprint input.
- ### 3. Charging Function
- (1) This product uses Micro USB or type-c socket (Android phone socket), and the OK indicator shows the charging status. Charging can be completed with mobile phone charging head and power bank.
  - (2) For system charging, blue indicator is in charging, green indicator is full charging.
  - (3) **Do not push or pull the drawer out when it's in charging, or it'll damage the charging port.**
4. When the power is lower than ( $\leq$ ) 20%, BAT indicator will flash 1 time each second.  
Please charge the battery.
  5. Please remember the password when you operate the Restore Factory Setting. If you forget the password, please use backup key to open the drawer. You can also input needle into resethole for 5s (Like pic 1-D shows). When the "OK" lights up, it means it is back to original password "1234"
  6. Please press Restart Button when there's no response by touching the keyboard or fingerprint ( Like pic 1- E shows). Then wait 10s to operate.

## 四 . Installation and maintaining

1. Please use the cleaning and tidy cloth to wipe the product. Do not use chemicals to clean it.
2. Please keep the drawer away from water and keep the sliding rail as well as drawer dry.

### ★ Installation Steps:

1. Open the outside package, take the password drawer out.
2. Input factory default password: \*1234# to open the drawer.
3. **Take the inner box out as well as user manual and emergency key. Do not put the key into the drawer.**
4. Outside box fix into the side of closet;
5. Install the drawer panel, then put the inner box in.
6. Installation pictures as below:



### ★ Warm Tips:

- (1) Please read the user manual carefully before using the products. Take the emergency key out to avoid forgetting password.
- (2) If you have followed the user manual to operate but still can not open the drawer, please contact local distributor or call our company for after sell services.
- (3) This product is simple mode password drawer. Do not put valuable objects in. Our company will not undertake any economic or related legal responsibility.
- (4) Please use International Standard charger (CCC/UL/TUA certificate, Output 5V 0.5A, or 5V 1A, 5V 2A) for charging. If it's damaged, our company will not bear the responsibility.